

COOKTOP

Repair Parts List

MODEL NUMBER

CCE3531B

When requesting service or ordering parts, always provide the following information:

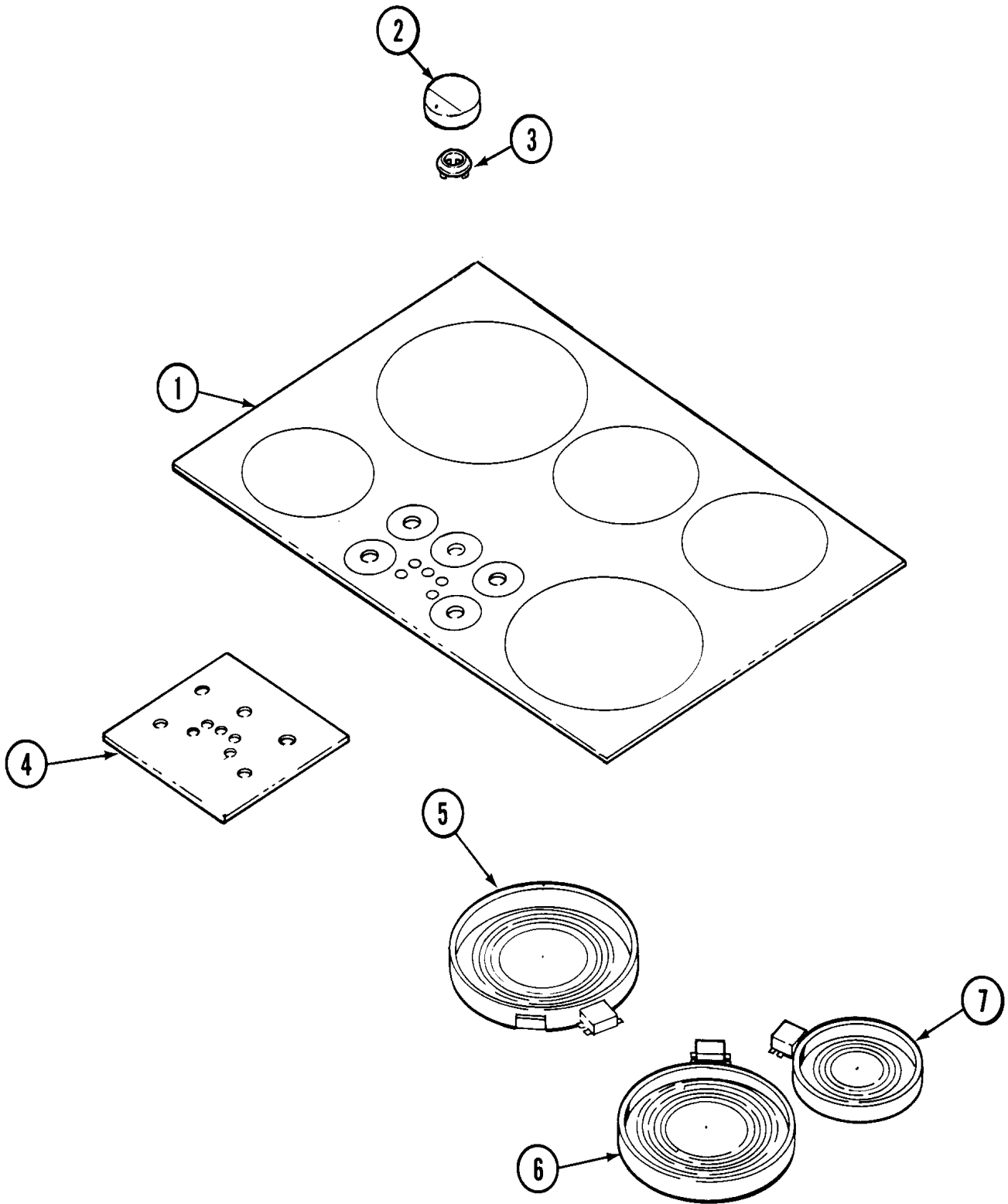
- Product Type
- Part Number
- Model Number
- Part Description

MAYTAG®

©2005 Maytag Services

Section: TOP ASSEMBLY

Model: CCE3531B



C15-397

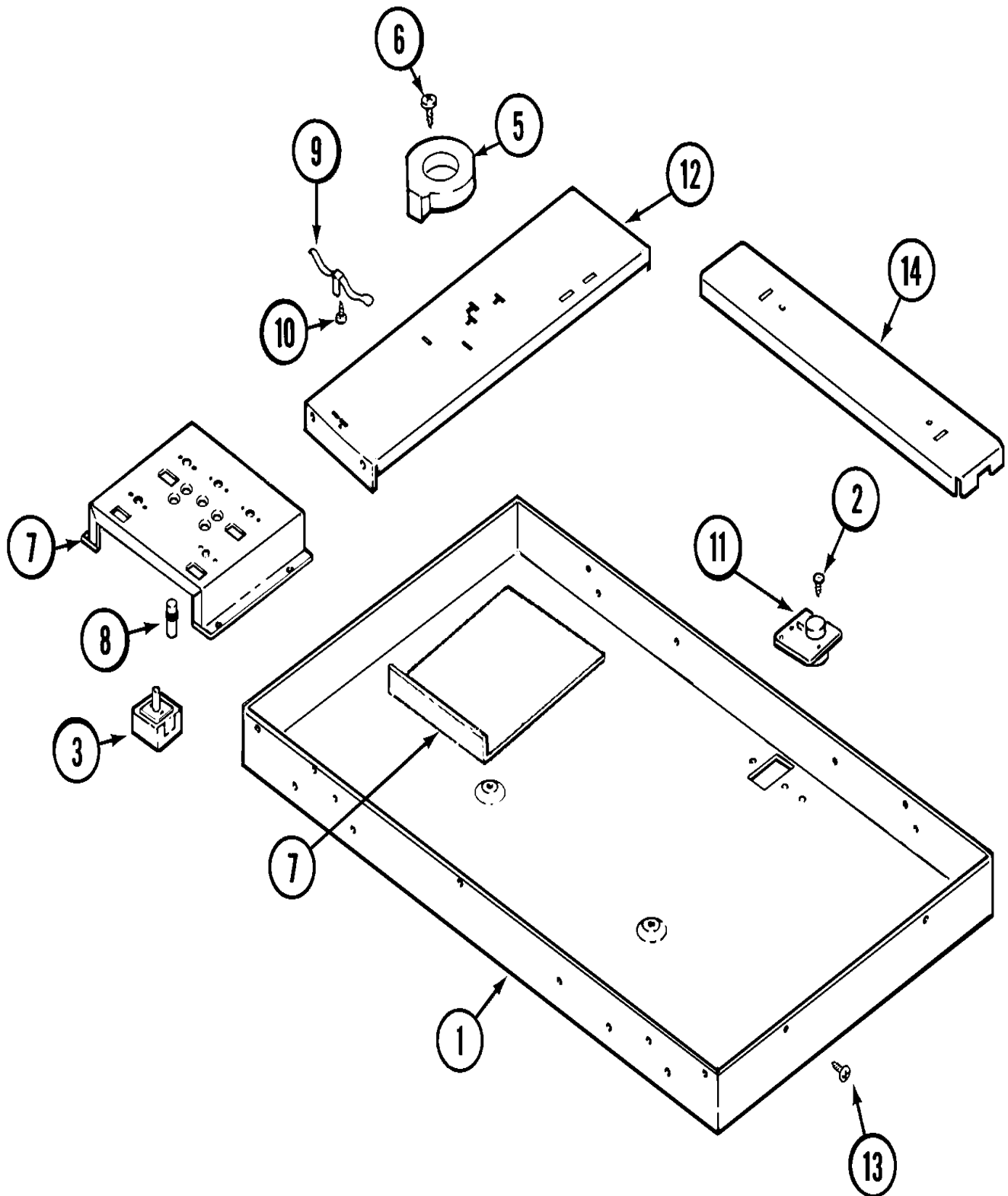
Section: TOP ASSEMBLY

No.	Part No.	Description	Series	Qty
1	71002468	GLASS ASSY. (BLK)	11	1
-	71002464	CLIP, GLASS ASSY.	11	4
1	71002557	GLASS, FRAME ASSY. (BLK)	13	1
2	04100366	KNOB, INFINITE (BLK) Note: KNOB (BLK)	11	5
3	706102	GROMMET, INFINITE SWITCH Note: GROMMET, SWITCH	11	5
4	71002466	DECAL, BACKLIGHT	11	1
5	71001618	ELEMENT, DUAL (2400/1000W) Note: ELEMENT, DUAL (2400/1000W-LR)	11	1
6	04100448	ELEMENT, HALOGEN 2200W Note: ELEMENT (2200W-RF)	11	1
7	71001423	ELEMENT, RADIANT (1200W) Note: ELEMENT (1200W-CTR & LF)	11	2
7	71001624	ELEMENT, RADIANT (1700W) Note: ELEMENT (1700W-RR)	11	1
-	71002424	MANUAL, USE & CARE	11	1
-	16010241	MANUAL, SERVICE	10	1

*Color Code (-)=Not Shown #=Series, Serial Prefix or Run No., N=Not Available

Section: BODY

Model: CCE3531B



C14-523

Section: BODY

No.	Part No.	Description	Series	Qty
1	71002467	BOX, BURNER	11	1
1	74006975	BOX, BURNER	15	1
2	71001171	SCREW, GROUND	11	1
3	71001166	SWITCH, INFINITE Note: SWITCH, INFINITE	11	4
3	74007715	SWITCH, DUAL ELEMENT(SERIES M) Note: USE THIS PART THE REPLACE 71001612	12	1
3	71001612	SWITCH, DUAL Note: SWITCH,(DUAL-LR) PART USE PART AT SERIES 12 AS REPLACEMENT	11	1
4	71001613	SHIELD, INF Note: SHIELD, INFINITE	11	1
5	04100416	LIGHT BOX Note: BOX, LIGHT	11	5
6	04100501	SCREW Note: SCREW, LIGHT BOX	11	10
7	N 04100441	PLATE, SWITCH MTG	10	1
-	74006921	SUPPORT, SWITCH PLATE	15	1
7	74006972	PLATE, SWITCH (36")	15	1
-	71001616	SUPPORT, SWITCH PLATE	11	2
-	706091	WIRE, PILOT LIGHT	11	5
8	706125	LIGHT, INDICATOR	11	5
9	04100418	SPRING, ELEMENT SUPPORT	11	10
10	708359	SCREW Note: SCREW, SPRING	11	10
11	71001627	WIRE CABLE ASSY.	11	1
12	74006920	CROSSBAR, ELEM SUPPORT	15	2
12	04100419	CROSSBAR, ELEM SUPPORT Note: PLATE, ELEM SUPPORT	11	2
13	700502	SCREW Note: SCREW, BURNER BOX	11	30
13	700502	SCREW Note: SCREW, BURNER BOX	15	33
14	N 04100443	CROSSBAR, ELEM SUPPORT Note: CROSSBAR, ELEMENT SUPPORT	11	1
14	74006977	PLATE, ELEMENT SUPPORT (CNTR)	15	1

*Color Code (-)=Not Shown #=Series, Serial Prefix or Run No., N=Not Available

